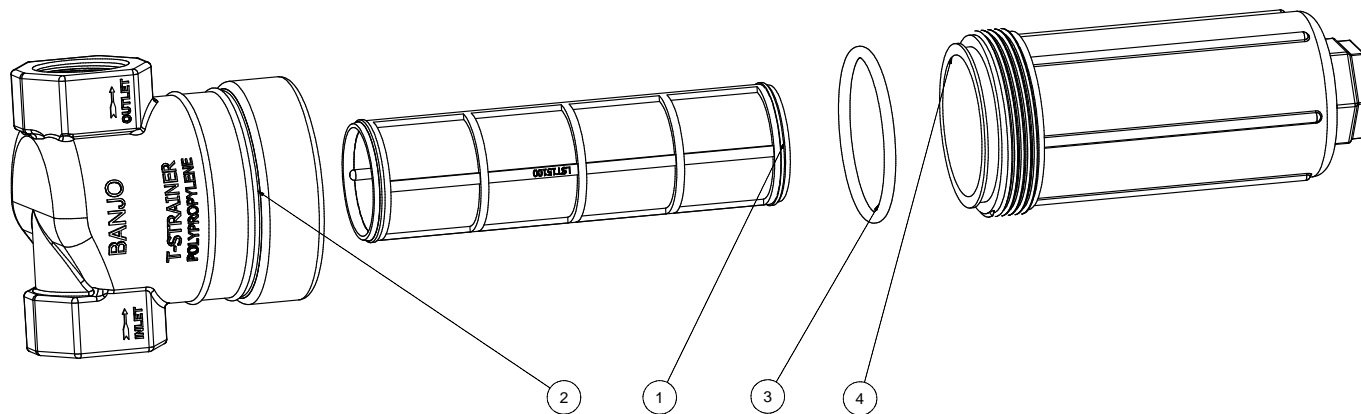


Parts List			
ITEM	QTY	PART NUMBER	DESCRIPTION
1	1	LST15100	1 1/2" LST SCREEN - 100 MESH
2	1	LST125-H	1 1/2" T-STRAINER HEAD
3	1	LST150-G	#336 O-RING
4	1	LST150-B	1 1/2" T-Strainer Bowl Assembly

*NOTE:
ADDITIONAL CLEARANCE REQD
FOR SCREEN REMOVAL: 8"





BANJO CORPORATION

BANJO CORPORATION
150 BANJO DRIVE, CRAWFORDSVILLE, IN 47933
WEB SITE: WWW.BANJOCORP.COM
E-MAIL: BANJOSALES@IDEXCORP.COM

THIS DRAWING AND ALL INFORMATION CONTAINED THEREON ARE THE EXCLUSIVE PROPERTY OF BANJO CORPORATION.	DESCRIPTION 1 1/4" T-STRAINER, 100 MESH
UNLESS SPECIFICALLY NOTED, THIS DRAWING AND ITEMS SHOWN ON THIS DRAWING ARE SUBJECT TO CHANGE AT ANY TIME.	PART NUMBER LST125-100

THIS DRAWING AND ALL INFORMATION CONTAINED THEREON ARE THE EXCLUSIVE PROPERTY OF BANJO CORPORATION.

UNLESS SPECIFICALLY NOTED, THIS DRAWING AND ITEMS SHOWN ON THIS DRAWING ARE SUBJECT TO CHANGE AT ANY TIME.